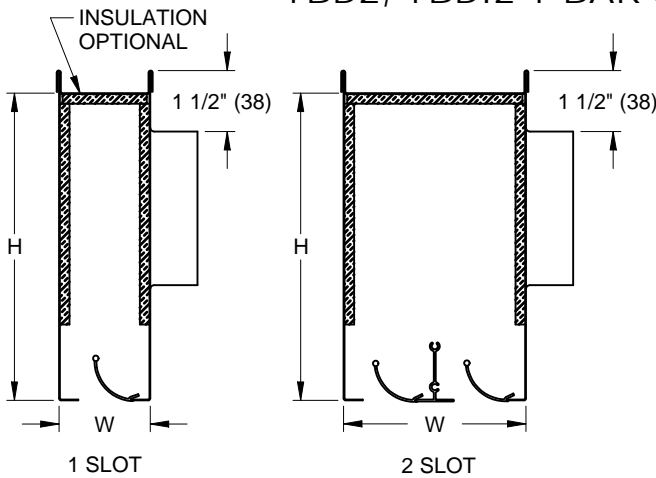


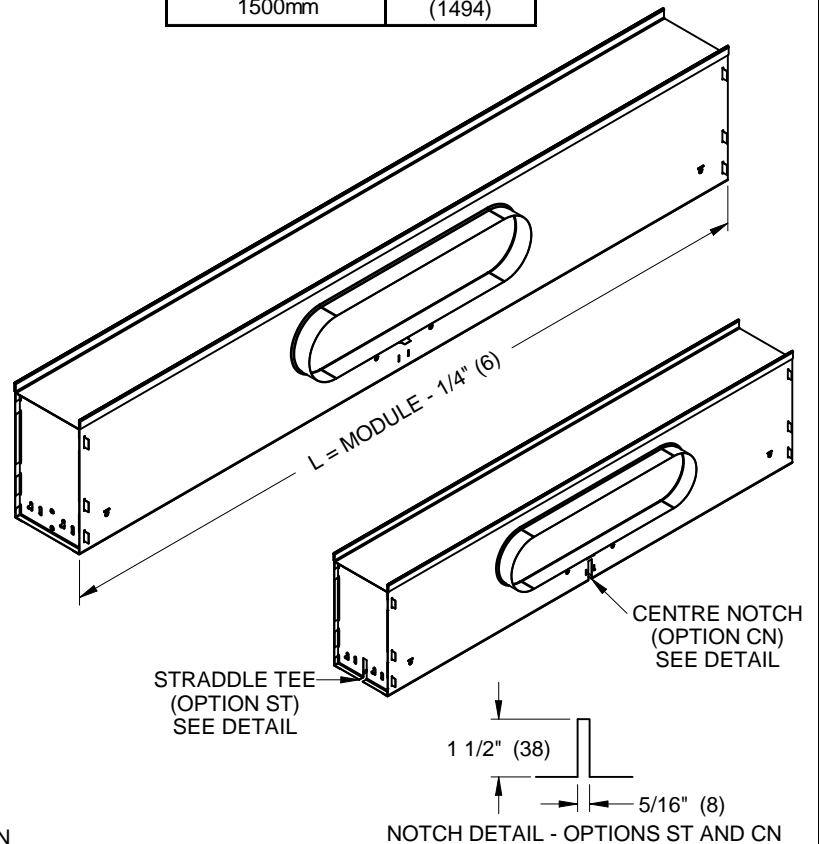
TBD2, TBDI2 T-BAR SUPPLY DIFFUSERS



MODULE LENGTH	L
24"	23 3/4"
30"	29 3/4"
36"	35 3/4"
48"	47 3/4"
60"	59 3/4"
600mm	(594)
750mm	(744)
900mm	(894)
1200mm	(1194)
1500mm	(1494)

	SLOT WIDTH	W	
		1 SLOT	2 SLOT
TBD2100	1" (25)	2" (51)	4" (102)
TBD2150	1 3/8" (35)	2 3/8" (60)	4 3/4" (121)

AVAILABLE INLET SIZES	H
6" (152) OVAL = 4"x7" (102x178)	8" (203)
8" (203) OVAL = 4x10 1/8" (102x257)	8" (203)
10" (254) OVAL = 4x13 1/4" (102x337)	8" (203)
12" (305) OVAL = 6x15 7/32" (152x387)	11" (279)



STANDARD CONSTRUCTION:

- COATED STEEL PLENUM CONSTRUCTION
- EXTRUDED ALUMINUM BLADE AND CENTRE TEE

INSULATION OPTIONS (MODEL TBDI2):

- CF - COATED FIBERGLASS INSULATION
- FF - FIBER FREE FOAM INSULATION
- AFI - EXTERNAL ALUMINUM FOIL BACKED INSULATION

OPTIONS:

- ST - STRADDLE TEE (2 SLOT UNITS ONLY)
- CN - CENTER NOTCH (36"/900mm AND LONGER)
- TB1 - ONE OUTSIDE TEE BAR ON INLET SIDE
- TB2 - OUTSIDE TEE BAR ON BOTH SIDES
- TC1 - TEE BAR CLIPS ON INLET SIDE
- TC2 - TEE BAR CLIPS ON BOTH SIDES
- APF - ALUMINUM PLASTER FRAME



FINISH:

- BLADES - B17 BLACK
- CENTRE TEE - B12 WHITE
- CENTRE TEE - B17 BLACK
- BFS - BLACK FACE SURFACES

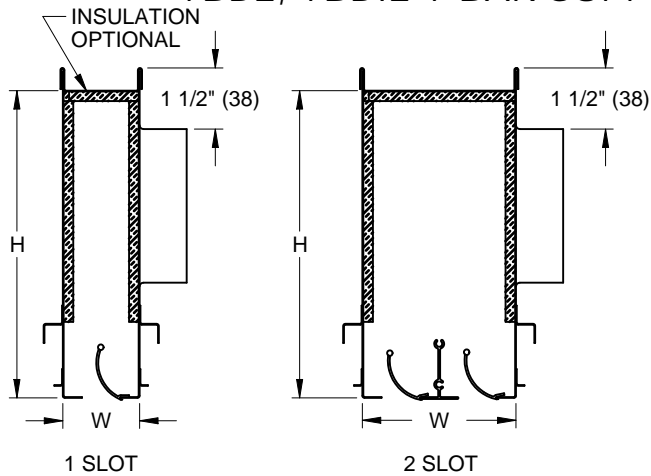
NOTES:

- TBDI2 ENDCAPS ARE UNINSULATED (OPTIONS CF AND FF)
- FACTORY TOLERANCE +/- 1/32" (1)

ALL METRIC DIMENSIONS () ARE SOFT CONVERTED. IMPERIAL DIMENSIONS ARE CONVERTED TO METRIC AND ROUNDED TO THE NEAREST MILLIMETER.

PROJECT:		
ENGINEER:		
CUSTOMER:		 245822
SUBMITTAL DATE:	SPEC. SYMBOL:	2015/09/21

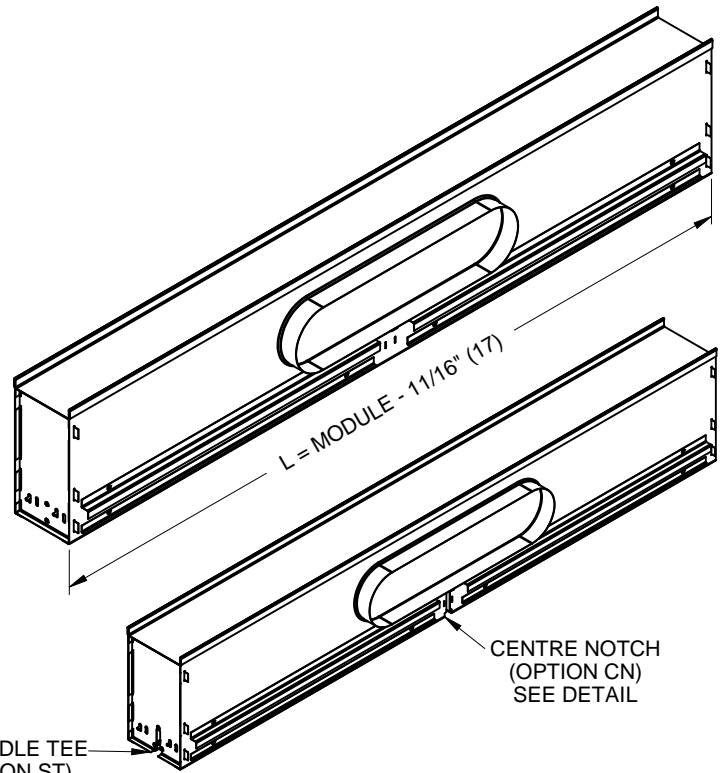
TBD2, TBDI2 T-BAR SUPPLY DIFFUSERS STYLE 17



MODULE LENGTH	L
24"	23 5/16"
48"	47 5/16"
600mm	(583)
1200mm	(1183)

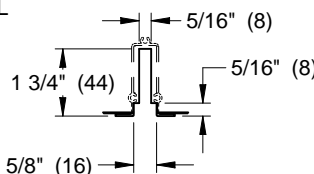
	SLOT WIDTH	W		
		1 SLOT	2 SLOT	2 SLOT ST
TBD2100	1" (25)	2" (51)	4" (102)	4 5/8" (117)
TBD2150	1 3/8" (35)	2 3/8" (60)	4 3/4" (121)	5 3/8" (137)

AVAILABLE INLET SIZES	H
6" (152) OVAL = 4"x7" (102x178)	8" (203)
8" (203) OVAL = 4x10 1/8" (102x257)	8" (203)
10" (254) OVAL = 4x13 1/4" (102x337)	8" (203)
12" (305) OVAL = 6x15 7/32" (152x387)	11" (279)

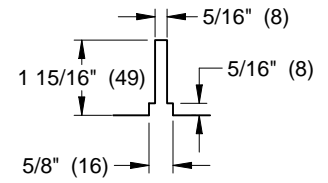


STRADDLE TEE
(OPTION ST)
SEE DETAIL

CENTRE NOTCH
(OPTION CN)
SEE DETAIL



NOTCH DETAIL - OPTION ST



NOTCH DETAIL - OPTION CN

STANDARD CONSTRUCTION:

- COATED STEEL PLENUM CONSTRUCTION
- EXTRUDED ALUMINUM BLADE AND CENTRE TEE

INSULATION OPTIONS (MODEL TBDI2):

- CF - COATED FIBERGLASS INSULATION
- FF - FIBER FREE FOAM INSULATION
- AFI - EXTERNAL ALUMINUM FOIL BACKED INSULATION

OPTIONS:

- ST - STRADDLE TEE (2 SLOT UNITS ONLY)
- CN - CENTER NOTCH (48"/1200mm LENGTHS ONLY)

FINISH:

- BLADES - B17 BLACK
- CENTRE TEE - B12 WHITE
- CENTRE TEE - B17 BLACK
- BFS - BLACK FACE SURFACES

NOTES:

- TBDI2 ENDCAPS ARE UNINSULATED (OPTIONS CF AND FF)
- FACTORY TOLERANCE +/- 1/32" (1)

ALL METRIC DIMENSIONS () ARE SOFT CONVERTED. IMPERIAL DIMENSIONS ARE CONVERTED TO METRIC AND ROUNDED TO THE NEAREST MILLIMETER.

PROJECT:		PRICE	TBD2, TBDI2 T-BAR SUPPLY DIFFUSER STYLE 17
ENGINEER:			
CUSTOMER:		245625	
SUBMITTAL DATE:	SPEC. SYMBOL:	2015/09/22	